



Product Support Guide

Wide Span

Beams and Frames





Wide Span Frames and Beams

- 3 General Information, Product Description, Code Compliance, Availability and Shipping Locations
- 4 Wide Span Product Overview

Wide Span Frames

- 5 Wide Span Frames and posts
- 6 Wide Span Struts, Foot Plates and Shims
- 7 Wide Span Frame Product Code Description and Capacities
- 8 Row Spacers
- 11 Wall Ties
- 13 Cross Aisle Ties
- 14 Additional Posts
- 15 Splicing

Wide Span Beams

- 16 Wide Span Beams
- 17 Beam Code Description and Capacity Charts
- 18 Metal Shelves
- 20 Particle Board Shelves, Crossbars and Clamp
- 21 Particle Board Capacity Charts
- 22 Part Numbers for Wide Span Frames and Beams

GENERAL INFORMATION

This support guide covers technical information for Wide Span Roll Formed Beams and Frames. Wide Span Formed Beams and Frames are a very cost-effective design solution for medium-heavy loads.

PRODUCT DESCRIPTION

The square punch design, in tandem with our pin lock end plates, allow for a simple, secure and very quick installation. As beams do not require bolts to connect to uprights, the beam elevations can be modified as product changes - allowing for a very versatile design without the need of reordering material.

CODE COMPLIANCE

Interlake Mecalux storage systems are designed in compliance with the 2012 edition of the “Specification for the Design, Testing and Utilization of Industrial Steel Storage Rack” published by the Rack Manufacturers Institute (RMI). This specification has been adopted by the American National Standards Institute (ANSI-MH16.1) as a national standard and is referenced by the 2006 International Building Code (IBC). Our designs also comply with the 2007 American Iron and Steel Institute’s (AISI) North American Specification for the Design of Cold-Formed Steel Structural Members. In addition, the Mecalux Group follows the standards set forth by IAS (International Accreditation Service), the City of Los Angeles, the City of Phoenix and Clark County.



AVAILABILITY AND SHIPPING LOCATIONS

Interlake Mecalux frames and accessories are manufactured and distributed from our plants located at:

**701 Interlake Drive
Pontiac, IL 61764**

**1600 N. 25th Avenue
Melrose Park, IL 60160**

**Blvd. Bellas Artes 9001
22444 Tijuana, B.C.
Mexico**

**Las Rusias 2700,
Industrial del Norte
Matamoros Tamaulipas,
Matamoros 87316**

ISO 9001:2000 certified, ISO 9001:2000 certified Matamoros, Mexico 87310 and Tijuana, Mexico 22444.

Commonly ordered products are available from our Interlake Mecalux Quick Ship Program from our distribution centers:

**701 Interlake Drive
Pontiac, IL 61764**

**12301 N Stemmons Fwy
Suite # 110
Farmers Branch,
TX 75234**

**8607 Ave de la Fuente
San Diego, CA 92154**

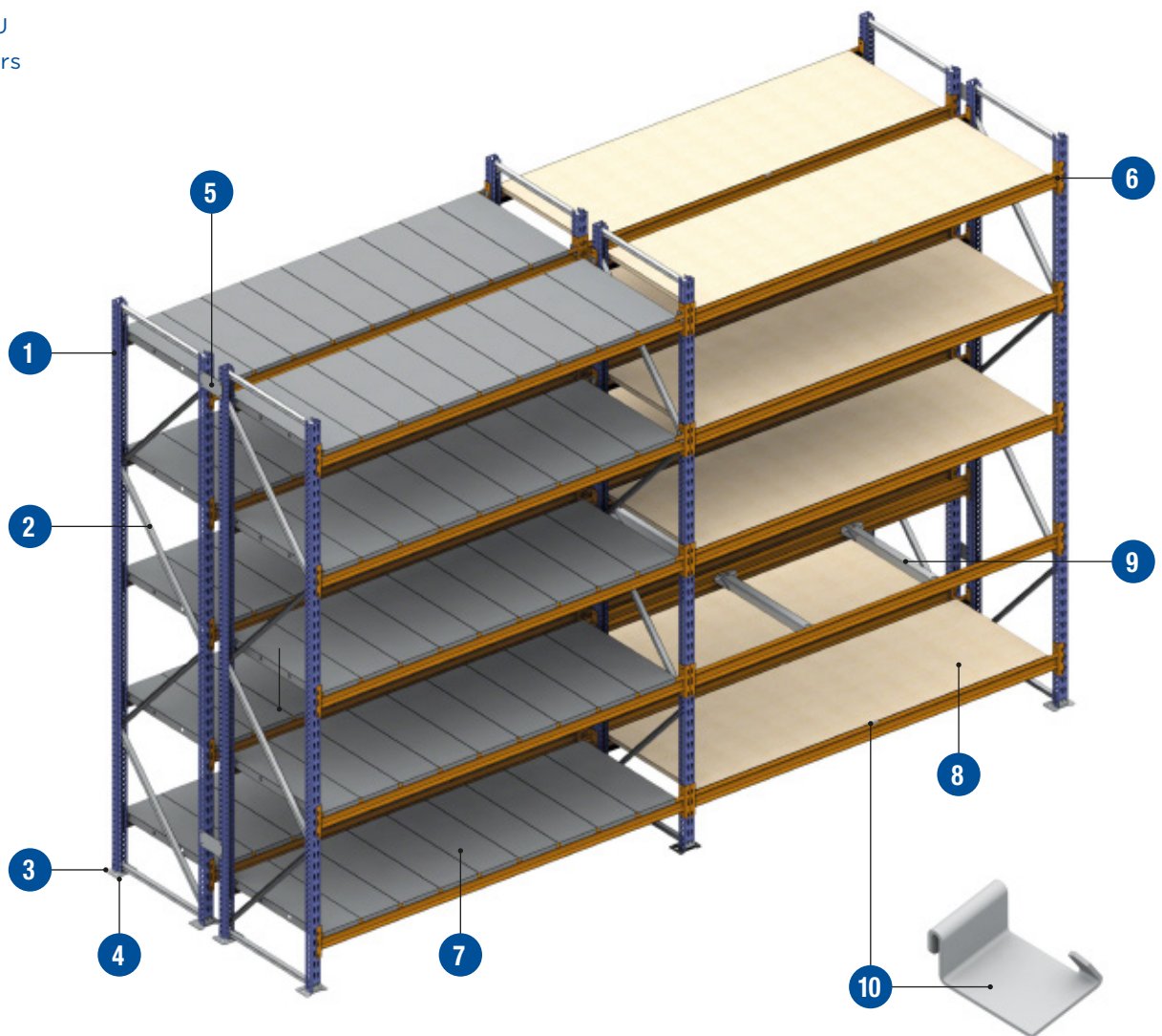
**1600 N. 25th Avenue
Melrose Park, IL 60160**

PRODUCT OVERVIEW

The wide span storage system is designed for manual storage of light to medium loads, which makes it ideal in situations where a wide variety of small components need management. The system is accessed manually, either at floor level or on elevated walkways. On the high levels, mechanical tools such as personal lifts, stacker cranes or order collecting elevators can be used to lift the operator up to the desired level or deliver the material to a central location. Load levels consist of frames, beams and shelves.

Components

1. Frame U7515 H
2. Struts U M
3. Foot Plate DF75 U
4. Shims and Anchors
5. Row Spacer
6. Beams
7. Metal Shelves
8. Particle Board
9. Cross Bar U L-ZS
10. Clamp Z-TAM U



WIDE SPAN FRAMES U7515 H

Frames are the vertical elements of the racks. They are rectangular in shape and come in a variety of heights and depths depending on the needs of the customer. Wide Span posts share a similar profile to that of Selective Bolted posts, with slightly different punching.

A standard Interlake Mecalux Wide Span frame consists of two U7515 posts connected by a series of diagonal struts and includes two DF75 U Heavy Duty foot plates that are bolted to the bottom of each post.

Spacing of the diagonals is determined by the height of the frame. Wide Span posts are painted in a standard blue (RAL-5003) and the diagonals come in a galvanized finish.

- Frame heights range from 4' to 26' in 12" increments.
- Available frame depths are: 18", 24", 30", 36", 42" and 48"

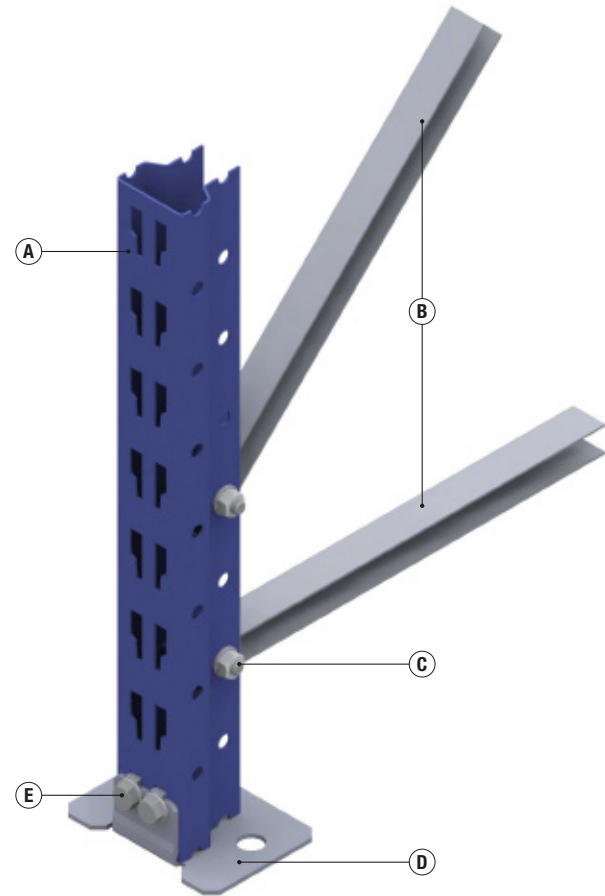
A. Post U7515.

B. Diagonals U M.

C. Bolts W $\frac{5}{16}$ x $1\frac{1}{2}$ " D933 Z T.2A (T0029097).

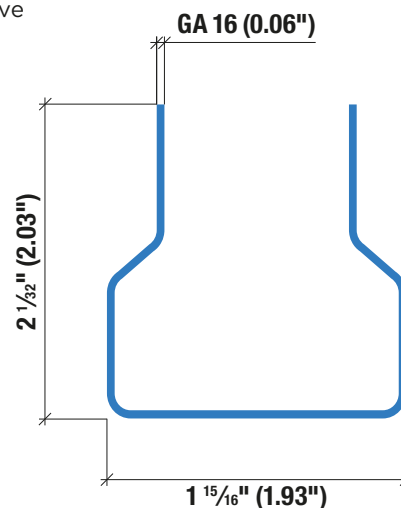
D. DF75 U Heavy Duty Foot Plates (T030666).

E. Bolts W $\frac{5}{16}$ x $\frac{5}{8}$ " D933 Z T.2A (T0029096).



POST U7515

The U7515 post is available in a variety of heights to fit any need; it is made of 16 Gauge (0.060") steel shaped in an open profile with cup shaped slots every 2" along the face and this is where the ZS and MS-U beams will connect to. On each side, they have two rows of holes, also at 2" intervals, which are used when bolting diagonals or accessories.



POST U7515

STRUTS U M

Struts generate the bracing that provides stability to the system, Wide Span uses "U" shaped profiles, $6\frac{3}{64}" \times \frac{3}{4}"$ (0.98" x 0.75") at varying lengths, drilled on both ends with $\frac{7}{8}"$ (0.875") which will allow them to be connected to the U7515 Posts using (2) Bolts W $\frac{5}{16} \times 1\frac{1}{2}"$ D933 Z T.2A (T0029097). Bracing patterns are determined by the height of the frame.

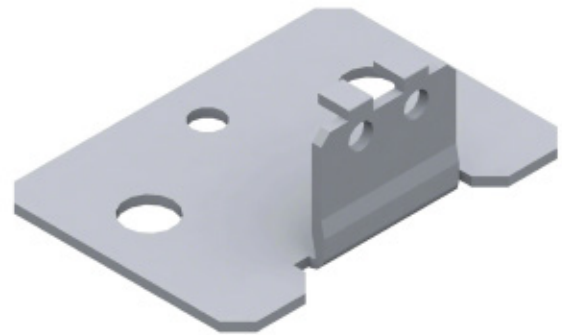


DF75 U HEAVY DUTY FOOT PLATES (T0030666)

Frames are secured to the ground using foot plates that are bolted to the bottom of the posts. The system is then anchored to the floor. Foot plates also transfer the load of the system over a larger surface area.

All Wide Span foot plates come with $\frac{5}{8}"$ (0.625") diameter holes that allow the frame to be anchored to the floor.

Foot plates are secured to the frames using (2) Bolts W $\frac{5}{16} \times \frac{5}{8}"$ D933 Z T.2A (T0029096), and anchored to the floor using (2) HILTI Anchors $\frac{1}{2}-13 \times 5\frac{1}{2}"$ (U0074596).



DF-7 U SHIMS (T0032514)

Shims are metal plates with the same dimensions as foot plates. They help to level out racks that are placed on irregular surfaces.

Gauge 11 (0.120")

2 x Frame quantity.

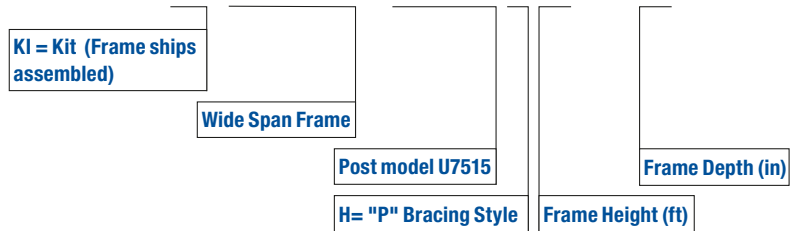
- Wide Span Foot Plates and Shims are made in a standard galvanized finish.



PRODUCT CODE DESCRIPTION

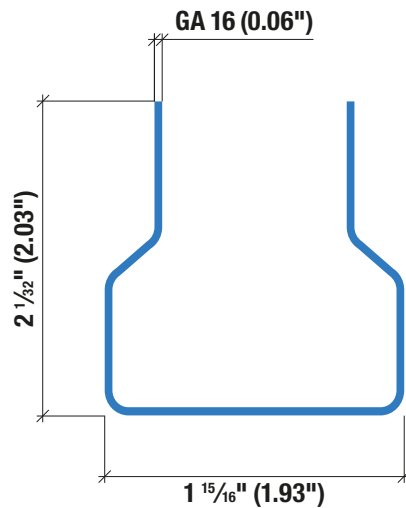
Wide Span frames are available in a variety of height and depth combinations. Custom options are also available. **Contact your Interlake Mecalux representative for more information.**

KI-FRAME U7515H 6' X 18"



WIDE SPAN FRAME CAPACITIES

Load Table for Wide Span Frames (lbs)										
Post Profile	Vertical Spacing / Maximum Unsupported Span (HBL)									
	10"	20"	30"	40"	50"	60"	70"	80"	90"	100"
U7515	9,570	8,952	8,489	7,938	7,144	6,174	5,072	4,234	3,440	2,911



ROW SPACERS AND WALL TIES

OVERVIEW

Rack stability can be increased by adding row spacers and/or wall ties, depending on the height and depth of the rack, the type of walls in the building and the location of the installation.

ROW SPACERS

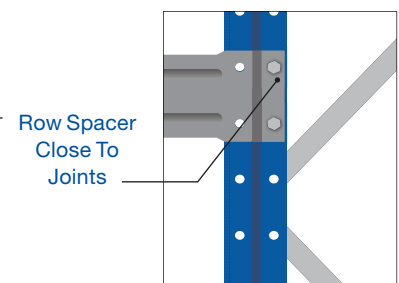
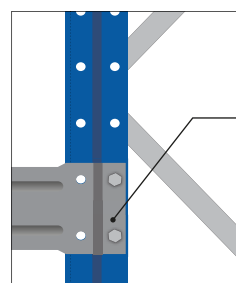
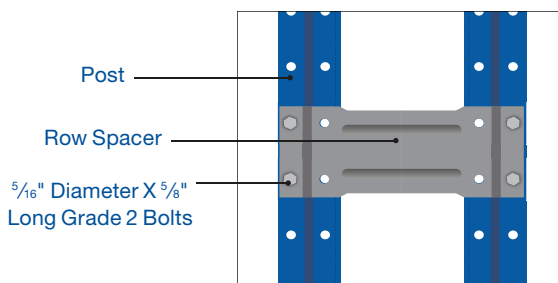
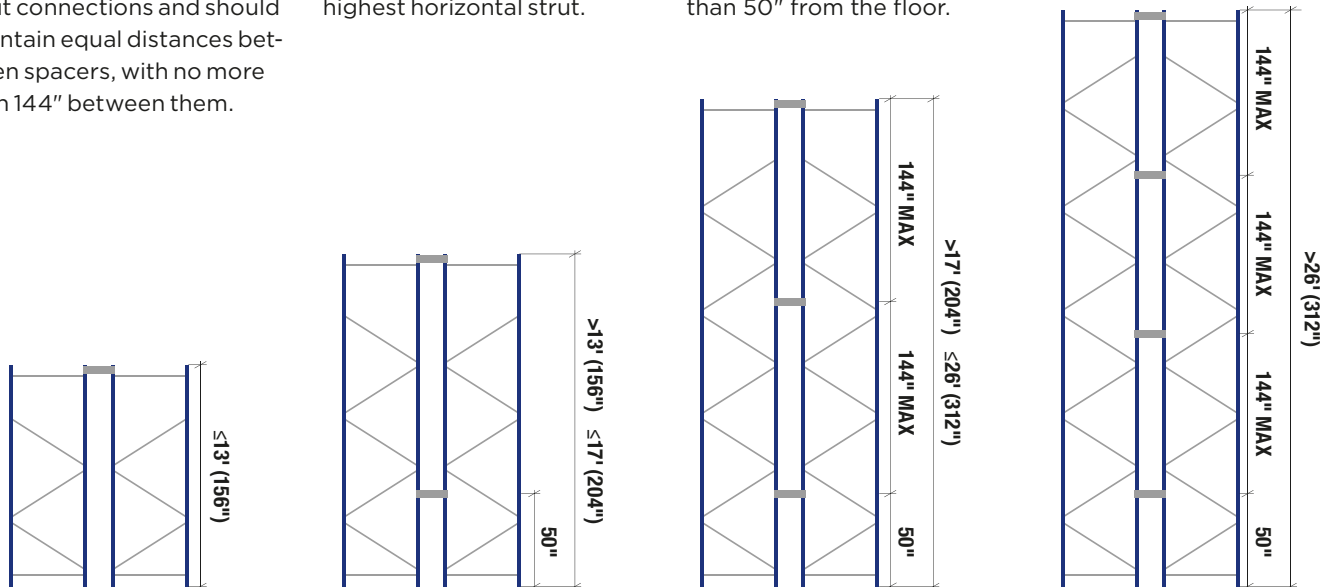
Row spacers are used to join racks together back to back. This adds rigidity to the system and provides even spacing between racks. Choosing the correct row spacer is based entirely on the frames in the system. Row spacers come with a standard galvanized finish.

Row Spacer Placement and Quantity Guide	
Frame Height	Row Spacer Quantity
≤ 13'	1
>13' ≤ 17'	2
>17' ≤ 26'	3
> 26'	4+

ROW SPACER DISTRIBUTION

The following are recommendations for the placement of row spacers:
In all cases, care must be taken to avoid interference with beams, struts or any other installation components.

- Intermediate row spacers should be located close to strut connections and should maintain equal distances between spacers, with no more than 144" between them.
- The top row spacer should be installed next to the highest horizontal strut.
- The bottom row spacer must be installed no higher than 50" from the floor.



WIDE SPAN ROW SPACERS

FRAME UNIONS DF-7

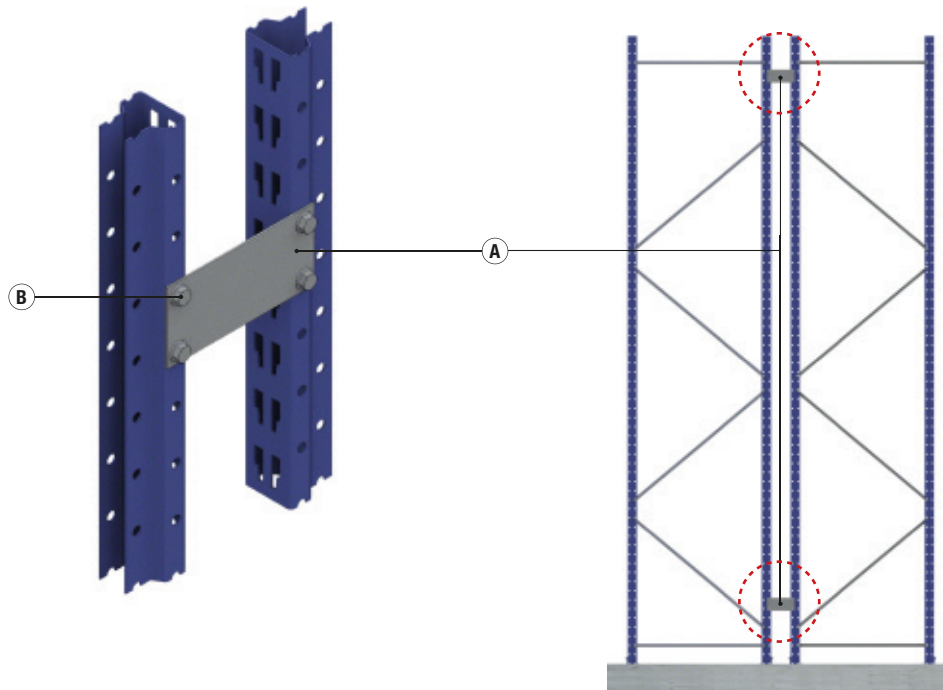
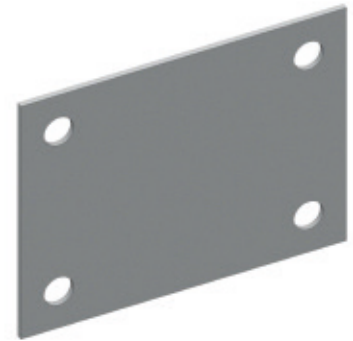
This part is designed to be attached securely to the posts of a frame when the separation is between 2", 4" or 6".

- Available in a standard galvanized finish.

Wide Span frame unions do not include hardware; the following guidelines should be followed when adding it to a quotation:

- A. (1) DF-7 Row Spacer.
- B. (4) Bolts W $\frac{5}{16}$ " X $\frac{5}{8}$ " D933 G2 Z T.2A (T0029096).

Loose Frame Unions DF-7 Standard Lengths			
Length	Part Number	Description	Hardware to add
2"	T0032515	UNION FRAME DF-7 U 2"	(4) BOLTS W $\frac{5}{16}$ " X $\frac{5}{8}$ " D933 G2 Z T.2A (T0029096)
4"	T0032516	UNION FRAME DF-7 U 4"	
6"	T0032517	UNION FRAME DF-7 U 6"	



ROW SPACER: U96

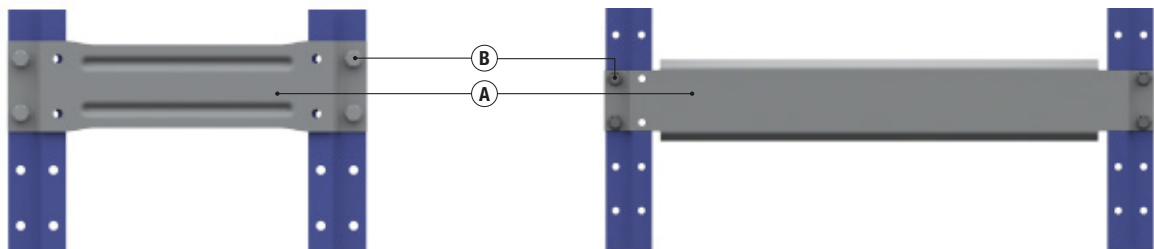
This part is designed to be attached securely to the posts of a frame or to a wall tie. It is made with 13 gauge steel ($\frac{3}{32}$ " or 0.09" thick).

The row spacers are bolted to the post using the side holes in the post, the same holes that are used for the bracing of the frame.

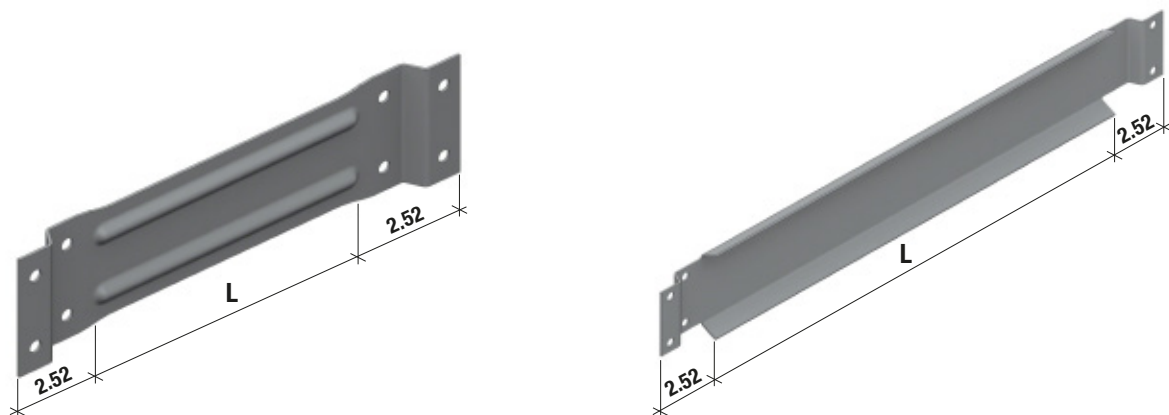
- Available in a standard galvanized finish.

Wide Span row spacers do not include hardware; the following guidelines should be followed when adding it to a quotation:

- A. (1) U96 Row Spacer.
- B. (4) Bolts W $\frac{5}{16}$ x $\frac{5}{8}$ " D933 G2 Z T.2A (T0029096).



Loose Row Spacer U96 Standard Lengths*						Loose Row Spacer U96 Standard Lengths*					
Length	Part Number	Length	Part Number	Length	Part Number	Length	Part Number	Length	Part Number	Length	Part Number
4"	T0032359	10"	T0032362	16"	T0032365	2"	T0056465	24"	T0032368	36"	T0032371
6"	T0032360	12"	T0032363	*Hardware is not included and must be added separately.		18"	T0032366	28"	T0032369	40"	T0032372
8"	T0032361	14"	T0032364			20"	T0032367	32"	T0032370	*Hardware is not included.	



The distance between posts will be $\frac{7}{8}$ " (0.875") longer than the size of the row spacer (L).
e.g. 12" Row Spacer + $\frac{7}{8}$ " (0.875") = 12.875" actual separation.

WIDE SPAN WALL TIES

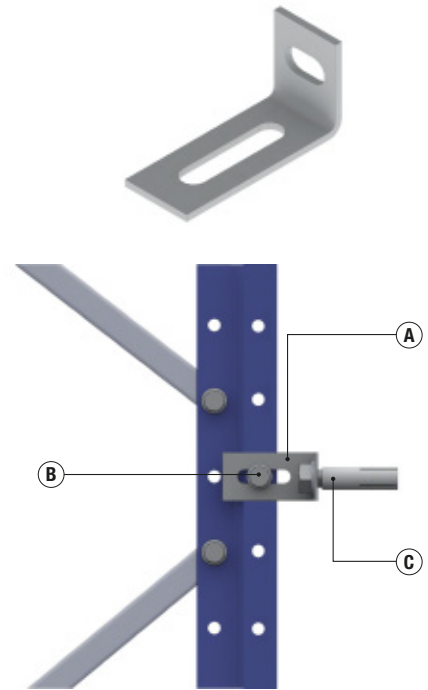
METAL DECKING BRACKETS (T0044596)

This “L” shaped component allows the rack to be attached to a wall; the connection hole is oval in shape which allows some adjustability.

- Available in a standard galvanized finish.
- Use when distance from frame to wall is less than 2”.

Wide Span metal decking brackets do not include hardware; the following guidelines should be followed when adding it to a quotation:

- A. (1) Metal Decking Bracket (T0044596).
- B. (1) Bolts W $\frac{5}{16}$ x $\frac{5}{8}$ ” D933 G2 Z T.2A (T0029096).
- C. (1) Drop in Anchor U (T0034138).



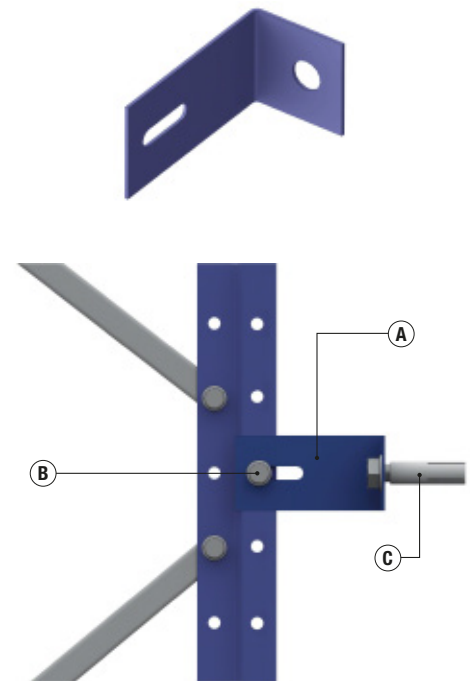
UNION WALL DF-7 U

This “L” shaped component allows the rack to be attached to a wall; the connection hole is oval in shape which allows some adjustability.

- Available in a standard Mecalux Blue (RAL-5003) finish.
- Use when distance from frame to wall is between 2” - 4”.

Wide Span union walls do not include hardware; the following guidelines should be followed when adding it to a quotation:

- A. (1) Union Wall DF-7 U (2” or 4”).
- B. (1) Bolts W $\frac{5}{16}$ x $\frac{5}{8}$ ” D933 G2 Z T.2A (T0029096).
- C. (1) Drop in Anchor U (T0034138).



Loose Frame Unions DF-7 Standard Lengths			
Length	Part Number	Description	Hardware to add
2"	T0032519	UNION WALL DF-7 U 2"	(1) BOLTS W $\frac{5}{16}$ X $\frac{5}{8}$ ” D933 G2 Z T.2A (T0029096)
4"	T0032520	UNION WALL DF-7 U 4"	(1) DROP IN ANCHOR U (T0034138)

ADAPTER UNION WALL U96 (T0032374)

This “L” shaped component allows the rack to be attached to a wall of a warehouse or storage facility. This type of wall tie should be used with bolted frames. To tie the rack to the wall, a U96 wall tie must be used in conjunction with a U96 row spacer. It is made with 13 gauge ($\frac{3}{32}$ " or 0.09") steel.

The single hole on the end ties the frame to the wall using a diameter anchor. Two slots on the other side attach to the row spacer using (2) $\frac{5}{16}$ " dia. x $\frac{5}{8}$ " grade 2 bolts.

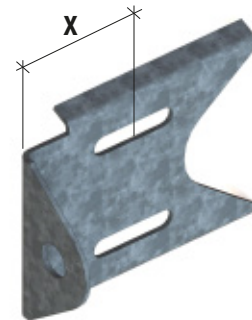
For separations between 6" and 10" a wall tie plus a Union Wall DF-7 is required.

For separations between 12" and 22" a wall tie plus a U96 Row Spacer is required; the row spacer U96 should be 2" shorter than the wall distance needed.

- Available in a standard galvanized finish.

Wide Span adapter union wall U96 does not include hardware; the following guidelines should be followed when adding it to a quotation:

- A. (1) Adapter Union Wall U96 (T0032374).
- B. (1) Union Wall DF-7 or U96 Row Spacer.
- C. (4) Bolts W $\frac{5}{16}$ X $\frac{5}{8}$ " D933 G2 Z T.2A (T0029096).
- D. (1) Drop in Anchor U (T0034138).

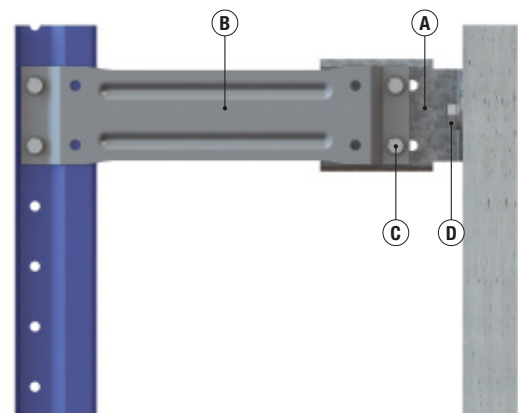
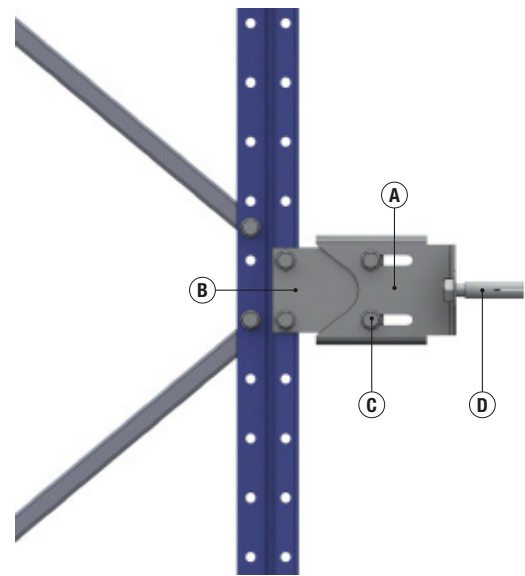


X = 2"

Loose Frame Unions DF-7 Standard Lengths		
Length	Part Number	Description
6"	T0032374	(1) ADAPTER UNION WALL U96
	T0032515	(1) UNION FRAME DF-7 U 2"
	T0029096	(4) BOLTS W $\frac{5}{16}$ X $\frac{5}{8}$ " D933 G2 Z T.2A
	T0034138	(1) DROP IN ANCHOR U
8"	T0032374	(1) ADAPTER UNION WALL U96
	T0032516	(1) UNION FRAME DF-7 U 4"
	T0029096	(4) BOLTS W $\frac{5}{16}$ X $\frac{5}{8}$ " D933 G2 Z T.2A
	T0034138	(1) DROP IN ANCHOR U
10"	T0032374	(1) ADAPTER UNION WALL U96
	T0032517	(1) UNION FRAME DF-7 U 6"
	T0029096	(4) BOLTS W $\frac{5}{16}$ X $\frac{5}{8}$ " D933 G2 Z T.2A
	T0034138	(1) DROP IN ANCHOR U
12" - 22"	T0032374	(1) ADAPTER UNION WALL U96
	(1) ROW SPACER U96 (10" - 20") *	
	T0029096	(4) BOLTS W $\frac{5}{16}$ X $\frac{5}{8}$ " D933 G2 Z T.2A
	T0034138	(1) DROP IN ANCHOR U

* NOTE: U96 Row Spacer should be 2" shorter than required wall distance.

e.g. 12" Wall Tie will require 10" U96 Row Spacer (T0032362)



CROSS AISLE TIES

Cross aisle ties are an assembly of posts and brackets used to provide additional rigidity for racks not attached to the wall, but whose height (at the level of the top loaded shelf) to depth ratio is equal to, or greater than 7 in single rows or greater than 10 in back-to-back rows.



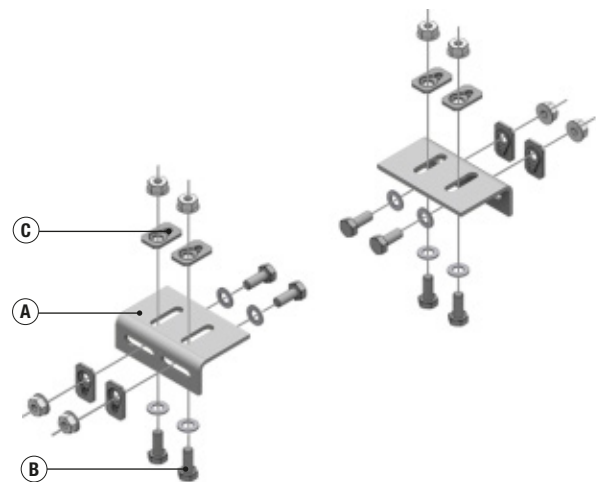
Arm Bracket
(T0032605)

ARM BRACKETS (ARM PORTAL U)

Each arm bracket is a Gauge 7, $1\frac{7}{16}$ " (1.43") x $2\frac{1}{16}$ " (2.68") x $\frac{3}{16}$ " (0.18") angle, with two slots on each of its wings. One side is attached to the frame, the other is connected to the cross aisle post.

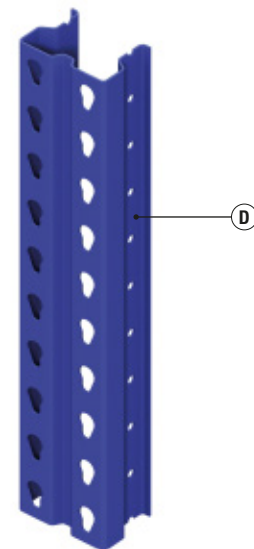
The following components must be added per every cross aisle tie connection:

- A. (2) Arm Brackets (T0032605).
- B. (8) W $\frac{5}{16}$ x $\frac{3}{4}$ " D933 G5 B TE1A Bolts (T0032927).
- C. (2) Washer Cup-Foot Plates TD UU (T0043168).
- D. (1) Cross Aisle Post TD U314 (PU314TD).



CROSS AISLE POST TD U314

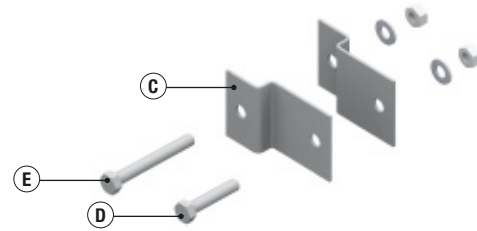
The components of the cross aisle ties are: POST TD U314 (Family code PU314TD) Profile available in different lengths in 2" increments. They should be attached to the cross aisle bracket using two $\frac{5}{16}$ " diameter x $\frac{3}{4}$ " long grade 5 bolts on each side. Standard posts matching the upright model are typically used. Adding 8" (or rounding to the next whole foot) to aisle width allows for variance/modification in the field. They have a blue electro deposition finish.



Cross Aisle Post TD U314
(Family code PU314TD)

ADDITIONAL POST

In instances where there is an increased load depth that standard wide span frames cannot cover, a Post U7515 can be connected with struts M-U, additionally "MS-U" Beams can be used in the middle posts if there is a need to run the shelves on the full depth of the system. **Contact your Interlake Mecalux representative for more information.**



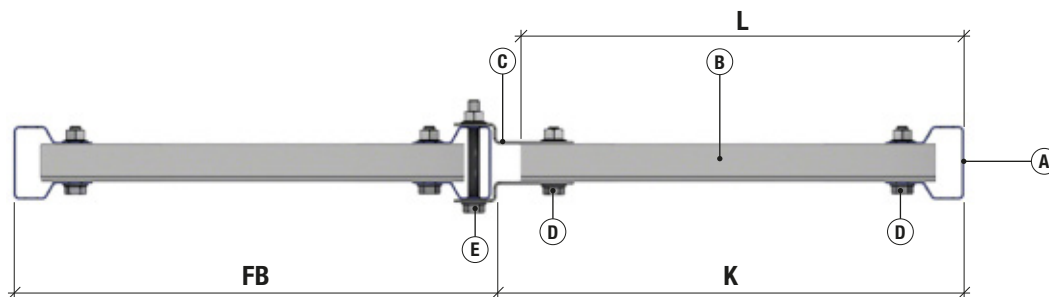
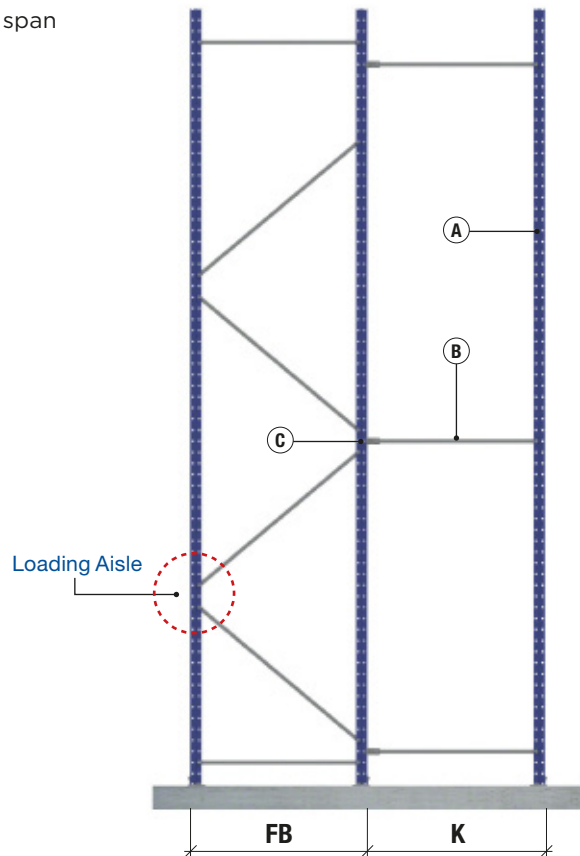
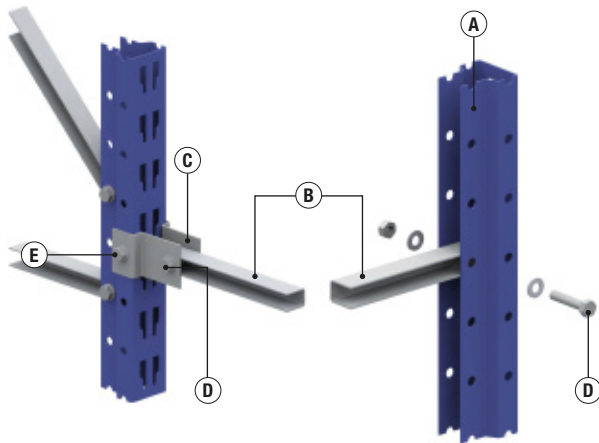
BRACKET U FRONT FRAME PK (T0042835)

These brackets allow the face to back connection between a wide span frame and a post U7515.

- Available in a standard galvanized finish.

Each connection will require the following hardware:

- A. (1) Additional Post U7515.
- B. Diagonal M U (Hardware per diagonal below).
- C. (2) Bracket U Front Frame PK (T0042835).
- D. (2) Bolts $W \frac{5}{16} \times 1 \frac{1}{2}$ " D933 Z T.2A (T0029097).
- E. (1) Bolt $W \frac{5}{16} \times 2 \frac{3}{4}$ " D931 G5 Z TE1A (T0029098).



FB = Frame Depth
K = Distance from frame face to back of post
L = Diagonal Length

$$L = K - 1\frac{17}{32}'' (1.53'')$$

SPLICING

SPLICE ASSEMBLY: DF-7 U

If it is necessary to increase the frame height, another frame must be spliced to the existing frame.

Splicing should be done so that it does not interfere with the struts.

To properly install the splice, half of it should go into each of the columns.

- Available in a galvanized finish.

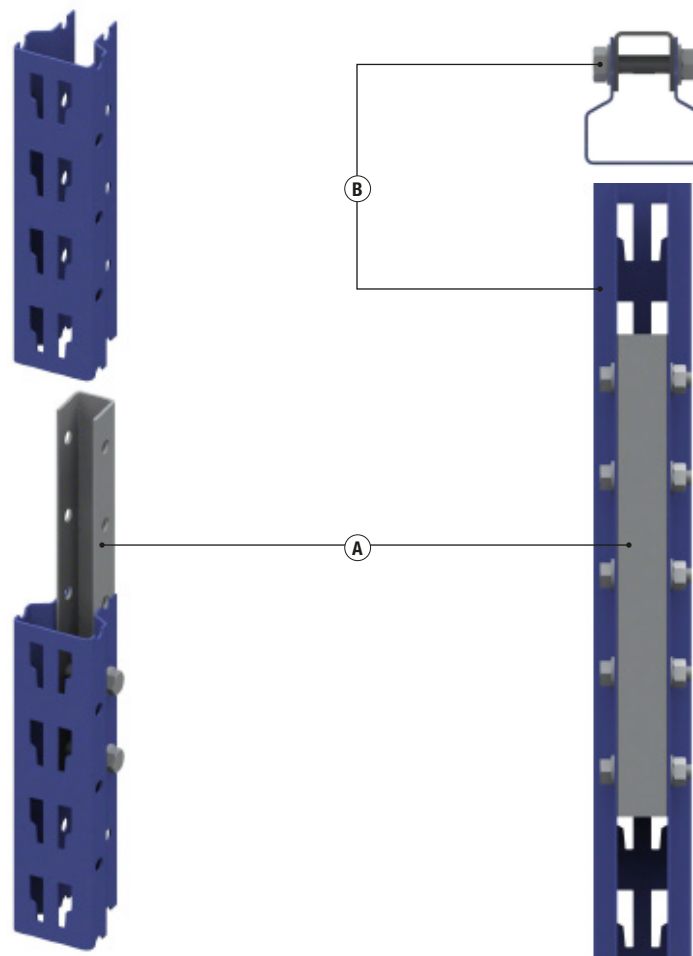
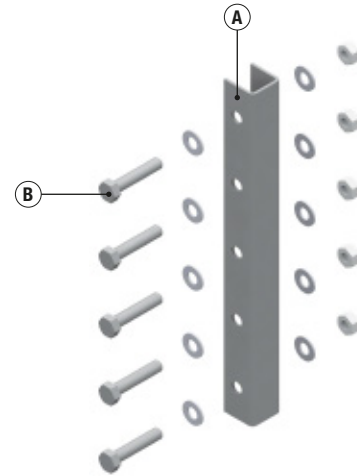
SPLICE SETS DF-7 U (T0034172)

The splice set for a single wide span post (T0034172) includes:

A. (1) Splice DF-7 U (T0032512), which is bolted to the inside of the post.

B. (5) $\frac{5}{16}$ " diameter x $1\frac{1}{2}$ " D933 Z T.2A Bolts (T0029097).

- Two splice sets are required per wide span frame U7515 H.

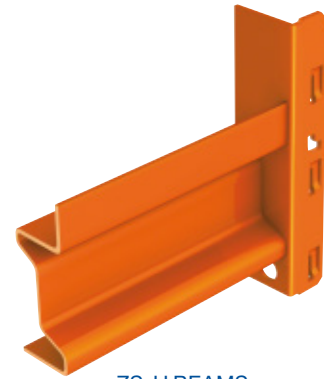


WIDE SPAN BEAMS

Beams are the horizontal elements of the racks. They are metal profiles which support the loads and / or decking; they have a welded connector at each end with 3 punches that fit into the cup shaped slots on the uprights. The beams are held firmly in position by the addition of a Safety Pin (T0032513) connector designed to prevent the beam from disengaging the frame.

ZS-U BEAMS

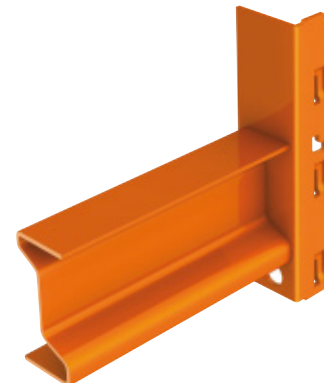
- They have a lip that acts as a stopper for particle board or metal shelves, commonly used at the front and back of a wide span system.
- Standard lengths are: 48", 60", 72", 84", 96" and 108".
- Available in different models: 35, 55 and 65; the higher the profile, the higher the capacity per pair.
- Standard color is orange RAL-2001.



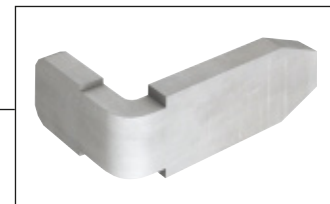
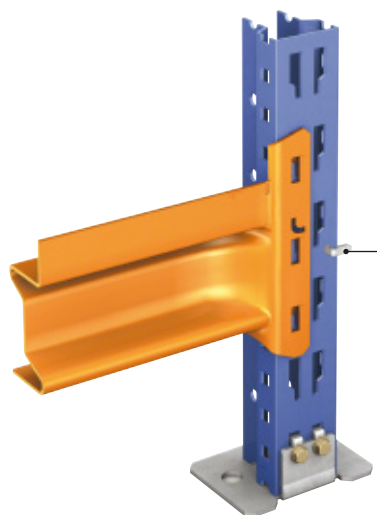
ZS-U BEAMS

MS-U65 BEAMS

- They have a flat top surface which makes them perfect for intermediate beams where decking is run through the depth of a back to back row.
- Standard lengths are: 48", 60", 72", 84", 96" and 108".
- Available only in one model: MS-U65 (2.56" high x 1.18" deep).
- Standard color is orange RAL-2001.



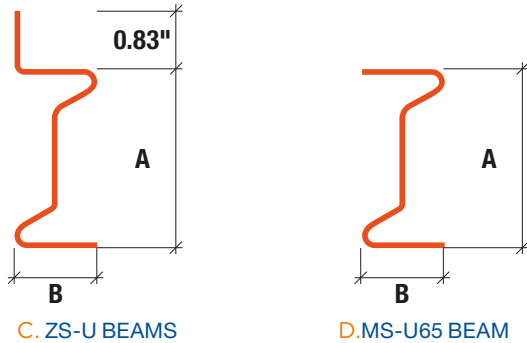
MS-U65 BEAM



SAFETY PIN DF-7 U
(T0032513)

PRODUCT CODE DESCRIPTION

Wide Span beams are available in a variety of lengths. Custom options are also available. **Contact your Interlake Mecalux representative for more information.**



BEAM ZS-U35 48"

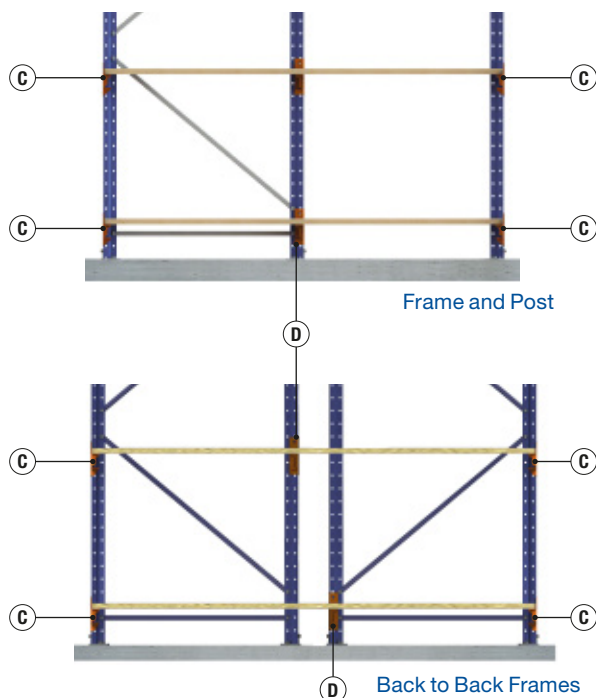


Wide Span Beam Dimensions		
Model	A	B
ZS-U35	1.38"	1.18"
ZS-U55	2.16"	
ZS-U65	2.56"	
*MS-U65	2.56"	1.18"

WIDE SPAN BEAM CAPACITIES

***FULL DEPTH SHELF**

Please note that the "MS-U65" (D) beam should be used as an intermediate when a full depth shelf is used; the "ZS-U" (C) beams should always be used at the positions where the frame faces the aisle; the lip on these beams will serve as a stopper for particle board and support for metal shelves.



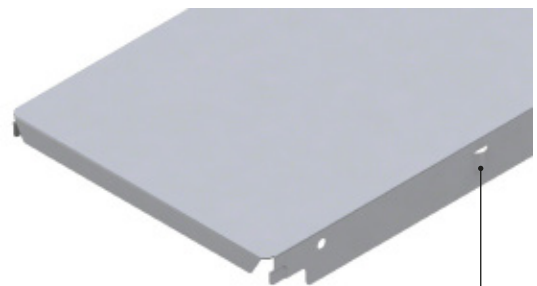
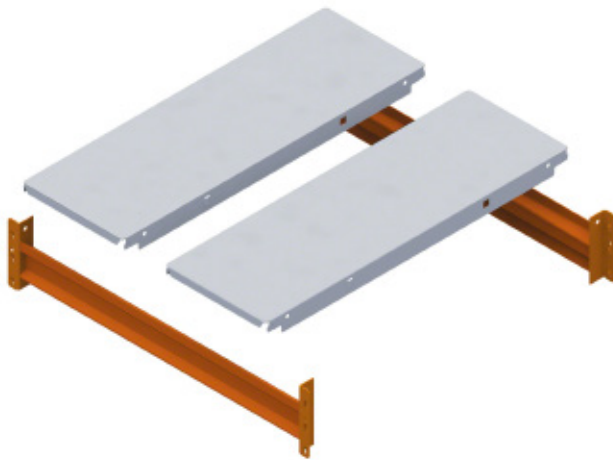
Wide Span Beam Capacities (lbs per pair)				
Span	ZS-U35	ZS-U55	ZS-U65	MS-U65*
	BEAM DEFLECTION L/200			
48"	1,213	-	-	3,021
54"	1,058	-	-	2,690
60"	970	-	-	2,403
72"	-	1,764	1,985	2,007
78"	-	1,654	1,808	1,874
84"	-	1,566	1,742	1,720
90"	-	1,455	1,654	1,588
92"	-	1,389	1,566	1,477
96"	-	1,213	1,433	1,411
102"	-	1,036	1,235	1,345
108"	-	926	1,125	1,191

WIDE SPAN SHELVES

METAL SHELVES (SHELF PICKING U GALV.)

Rectangular shelves with their face and back shaped to fit into the ZS-U beams; additionally they have side connectors and holes that enable them to be joined together.

- Made from Gauge 12 steel.
- Available in two widths: 6" and 12".
- Available in standard galvanized finish.

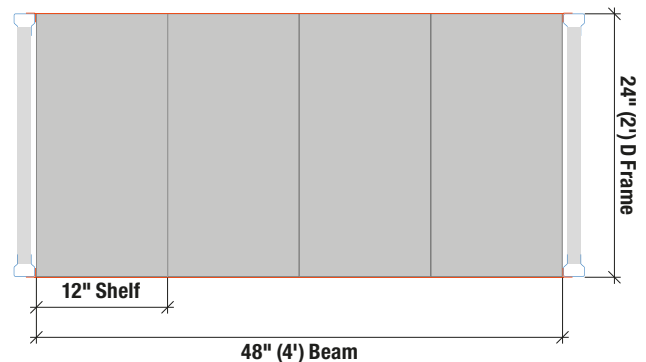


Side Connectors



Capacity for Galvanized Shelves		
*Max. Load per Shelf (lb per sq/ft) Uniformly Distributed		
Shelf Depth	Shelf Width	
Frame Depth	6"	12"
24" (2')	-	292
30" (2.5')	374	187
36" (3')	240	120
42" (3.5')	137	70
48" (4')	85	46

*NOTE: Shelf capacities are per square foot.
 e.g. Frame Depth is 24" (2'), Beam Length is 48" (4')
 $2' \times 4' = 8 \text{ sq/ft}$
 Planned load per shelf is 1,320 lb
 $1,320 / 8 = 165 \text{ lb per sq/ft}$
 In shelf capacity chart 24" D x 12" W = 292 lb per sq/ft
 In order to cover 48" Beam Length 4-12" shelves per level are needed.



SHELF PICKING U GALV.

Wide Span Metal Shelves are available in two widths: 6" and 12", and depths that will match the standard Wide Span frame depth.

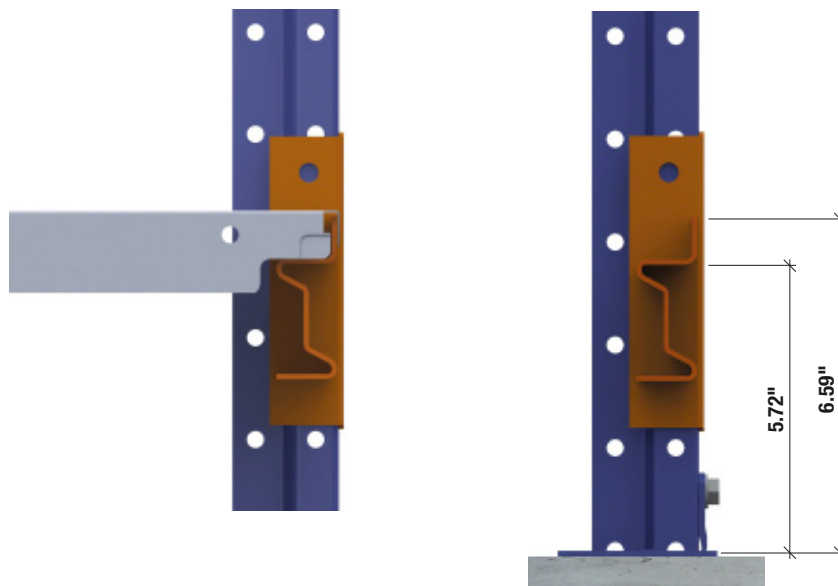
Use the charts below to pick the corresponding part number based on the frame depth and the shelf quantity based on the beam length.

Shelf Picking U Galv. Part Number		
Shelf Depth	Shelf Width	
Frame Depth	6"	12"
18"	T0070885	T0037344
24"	T0070886	T0032521
30"	T0070887	T0032522
36"	T0070888	T0032523
42"	T0070889	T0032524
48"	T0070890	T0032525

Shelf Picking U Galv. Quantity Requirements		
Shelf Width	Quantity to use	
Beam Length	6"	12"
48"	X 8	X 4
60"	X 10	X 5
72"	X 12	X 6
84"	X 14	X 7
96"	X 16	X 8
102"	X 17	X 8 + (1) 6"
108"	X 19	X 9

MINIMUM SHELF ELEVATION

The minimum height from the bottom of the upright to the support level of the beam is $5\frac{23}{32}$ " (5.72"), the height of the shelf will add $\frac{7}{8}$ " (0.875"), making the total elevation from floor to top of shelf $6\frac{19}{32}$ " (6.59").



PARTICLE BOARD SHELVES (TAM U 7/8")

Rectangular shelves form using $\frac{7}{8}$ " (0.875") particle board (TAM), supplied in standard sizes or by the square foot which are fitted to the beams of the wide span rack.

The thickness of the board will determine the capacity; however, the capacity can be increased using Cross Bars U L-ZS.

The following reductions are applied to the Width and Depth of the Particle Board:

- Width: $\frac{19}{32}$ " (0.59") less than the bay width.
- Depth: $\frac{9}{32}$ " (0.28") less than the depth of the frame.

e.g. For a Wide Span shelf that is 18" deep by 48" wide the particle board will be Part Number T0032642 which is $47\frac{13}{32}$ " wide x $17\frac{23}{32}$ " deep (47.41" x 17.72").



CROSS BAR U L-ZS

Metal profiles manufactured in galvanized 16 Gauge (0.059") steel, shaped to fit into the beams underneath the particle board shelves.

- They are used to increase the capacity of the particle board in the shelf.



Cross Bar U L-ZS Part Number		
Frame Depth	Part Number	Cross-Tie Length
18"	T0042531	$17\frac{9}{16}$ " (17.56")
24"	T0042532	$23\frac{9}{16}$ " (17.56")
30"	T0042533	$29\frac{9}{16}$ " (17.56")
36"	T0042534	$35\frac{9}{16}$ " (17.56")
42"	T0042535	$41\frac{9}{16}$ " (17.56")
48"	T0042536	$47\frac{9}{16}$ " (17.56")

CLAMP Z-TAM U (T0030662)

Metal pieces which clip on to the particle board and fit onto ZS-U beams that are more than 72" long. The purpose of this accessory is to prevent the accidental disengagement of the boards during loading and unloading.

- (2) Clamp Z-TAM U should be added per particle board shelf.



PARTICLE BOARD SHELVES (TAM U 7/8") CAPACITIES

Use the charts below to pick the corresponding part number based on the dimensions of the wide span shelf. Note that capacities increase when adding crossbars U L-ZS.

Particle Board Shelves (TAM U 7/8") Capacities (lb)*												
Shelf Width	24" Frame Depth						36" Frame Depth					
	No. of Crossbars						No. of Crossbars					
Beam Length	0	1	2	3	4	5	0	1	2	3	4	5
48"	771	992	3,417	5,511	6,944	8,267	491	727	2,314	3,747	5,004	6,172
60"	963	1,168	3,346	5,511	6,944	8,267	610	798	2,244	3,747	5,004	6,172
72"	1,216	1,377	3,306	5,511	6,944	8,267	769	815	2,204	3,747	5,004	6,172
84"	1,364	1,441	3,273	5,511	6,944	8,267	866	892	2,171	3,747	5,004	6,172
96"	1,565	1,600	3,229	5,434	6,829	8,267	932	961	2,129	3,747	5,004	6,172
Shelf Width	42" Frame Depth						48" Frame Depth					
	No. of Crossbars						No. of Crossbars					
Beam Length	0	1	2	3	4	5	0	1	2	3	4	5
48"	326	582	1,600	2,328	2,813	3,492	253	440	1,124	1,543	1,984	2,480
60"	421	617	1,565	2,328	2,813	3,492	308	469	1,108	1,543	1,984	2,480
72"	522	639	1,552	2,328	2,813	3,492	394	496	1,102	1,543	1,984	2,480
84"	588	690	1,523	2,328	2,813	3,492	447	540	1,089	1,543	1,984	2,480
96"	676	773	1,485	2,328	2,813	3,492	513	601	1,067	1,543	1,984	2,480

*NOTE: In some cases, the Particle Board capacity could be higher than the beam capacity when using crossbars, it is recommended to check the beam capacity (page 17) for the maximum permissible load.

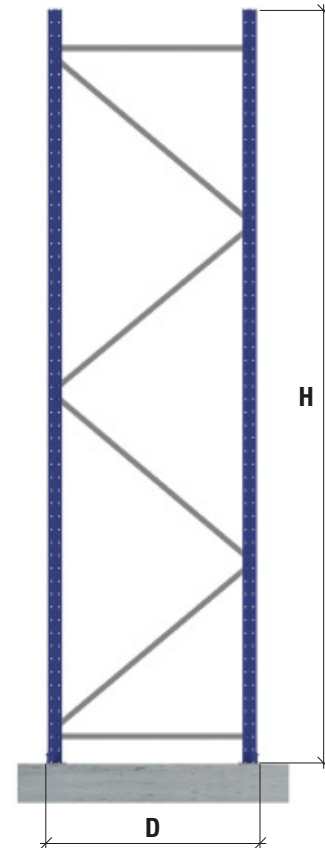


Particle Board Shelves (TAM U 7/8") Part Numbers														
Beam Length	Frame Depth	Shelf Width	Shelf Depth	Part Number	Beam Width	Frame Depth	Shelf Width	Shelf Depth	Part Number	Beam Length	Frame Depth	Shelf Width	Shelf Depth	Part Number
48"	18"	47 13/32"	17 23/32"	T0032642	60"	18"	59 13/32"	17 23/32"	T0032648	72"	18"	71 13/32"	17 23/32"	T0032654
	24"		23 23/32"	T0032643		24"		23 23/32"	T0032649		24"		23 23/32"	T0032655
	30"		29 23/32"	T0032644		30"		29 23/32"	T0032650		30"		29 23/32"	T0032656
	36"		35 23/32"	T0032645		36"		35 23/32"	T0032651		36"		35 23/32"	T0032657
	42"		41 23/32"	T0032646		42"		41 23/32"	T0032652		42"		41 23/32"	T0032658
	48"		47 23/32"	T0032647		48"		47 23/32"	T0032653		48"		47 23/32"	T0032659
84"	18"	83 13/32"	17 23/32"	T0032660	96"	18"	95 13/32"	17 23/32"	T0032666					
	24"		23 23/32"	T0032661		24"		23 23/32"	T0032667					
	30"		29 23/32"	T0032662		30"		29 23/32"	T0032668					
	36"		35 23/32"	T0032663		36"		35 23/32"	T0032669					
	42"		41 23/32"	T0032664		42"		41 23/32"	T0032670					
	48"		47 23/32"	T0032665		48"		47 23/32"	T0032671					

PART NUMBERS FOR U7515H WIDE SPAN FRAMES

Use the chart below to reference standard part numbers for assembled wide span frames U7515 H, to create alternative lengths, use family code BU7515P.

U7515 H Wide Span Frame Part Numbers						
Frame Height (H)	Frame Depth (D)					
	18"	24"	30"	36"	42"	48"
6' (72")	KI600177	T0047712	T0047605	T0047606	KI615116	KI635022
7' (84")	KI615103	T0047607	T0047608	T0047609	KI635930	KI600171
8' (96")	KI600169	T0047610	T0047611	T0047612	---	KI600160
9' (108")	KI635619	T0047613	T0047614	T0047615	---	KI635183
10' (120")	KI635154	T0047616	T0047617	T0047618	KI615088	KI600164
12' (144")	KI615165	T0047619	T0047620	T0047621	KI615069	KI615080
14' (168")	---	T0047622	T0047623	T0047624	KI635507	KI600162
15' (180")	KI635721	T0047625	T0047626	T0047627	KI635424	KI635089
16' (192")	KI635856	T0047628	T0047629	T0047630	KI635345	KI635320
17' (204")	KI615104	T0047631	T0047632	T0047633	---	---
18' (216")	KI635722	T0047634	T0047635	T0047636	---	KI635169
19' (228")	---	T0047637	T0047638	T0047639	---	---
20' (240")	KI635419	T0047640	T0047641	T0047642	---	KI635422
22' (264")	---	T0047643	T0047644	T0047645	---	---
24' (288")	---	T0047646	T0047647	T0047648	---	---
26' (312")	---	T0047649	T0047650	T0047651	---	---



PART NUMBER FOR ZS-U AND MS-U BEAMS

Use the chart below to reference standard part numbers for ZS-U and MS-U wide span beams, to create alternative lengths, use the family codes listed on chart.

ZS-U and MS-U Beam Part Numbers				
Beam Length	ZS-U35	ZS-U55	ZS-U65	*MS-U65
Family Code	LZSU35	LZSU55	LZSU65	LMSU65
48"	T0032709	T0032714	T0032719	T0032724
60"	T0032710	T0032715	T0032720	T0032725
72"	T0032711	T0032716	T0032721	T0032726
84"	T0032712	T0032717	T0032722	T0032727
96"	T0032713	T0032718	T0032723	T0032728
108"	---	---	---	T0037315

NOTE: Wide span beams require (2) Safety Pins (T0032513) connectors in order to prevent disengagement.

*MS-U65 Beams should only be used as intermediates in full-depth shelf scenarios (see page 17 for reference).



ZS-U BEAMS



MS-U65 BEAM





Tel. 1-877-632-2589 - info@interlakemecalux.com - interlakemecalux.com

SALES OFFICES

CHICAGO
1600 North 25th Ave.
Melrose Park, IL 60160

DALLAS
3333 West University Drive
BLDG 2 unit 2105,
Denton TX 76207

SAN DIEGO
8607 Ave. De La Fuente
San Diego, CA 92154

PRODUCTION PLANTS

CHICAGO
1600 North 25th Avenue
Melrose Park, IL 60160

MATAMOROS
Las Rusias 2700,
Industrial del Norte
Matamoros Tamaulipas,
C.P. 87316

PONTIAC
701 Interlake Drive
Pontiac, IL 61764

TIJUANA
Blvd. Bellas Artes, 9001
Ciudad Industrial Nueva Tijuana
Tijuana, B.C. - C.P. 22444

OFFICES WORLDWIDE

Argentina - Belgium - Brazil - Canada - Chile - Colombia - Czechia - Croatia - France - Germany - Italy - Mexico
Netherlands - Poland - Portugal - Romania - Slovakia - Slovenia - Spain - Turkey - United Kingdom - Uruguay - USA



The contents in this document refer exclusively to Mecalux products and are for informational and promotional purposes only. The information contained herein does not form the basis for warranty or guarantee. Mecalux reserves the right to modify without prior notice the data, figures, products and finishes in the catalog.