



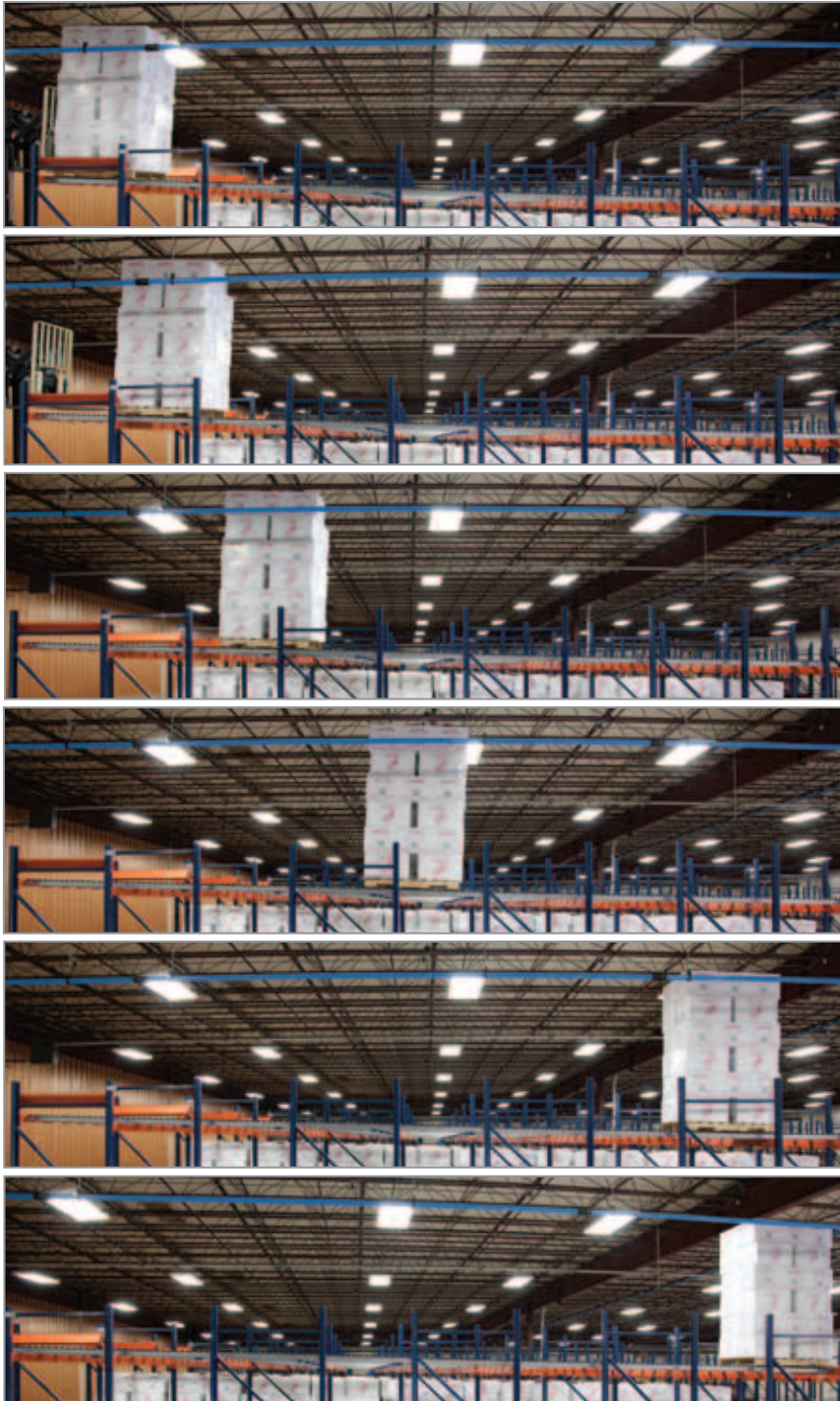
PALLET FLOW RACK



General Characteristics of Pallet Flow

Interlake Mecalux Pallet Flow is a compact structure that stores up to four pallets deep. Roller track sections are installed on a sloped lane, and the pallets flow from the entry side to the picking side, creating a first in, first out (FIFO) system. Each flow lane can bear a different SKU, which enables easy access to a variety of products.

Pallets enter at the highest end of the roller track and are moved by gravity toward the other end, where they will be picked. Having different loading and unloading aisles reduces handling time and eliminates aisle congestion, allowing forklift trucks to deposit and extract pallets without interruptions.



Frame-by-frame view of the pallet loading process

The layout advantages of the Pallet Flow system

As a first in, first out system, Pallet Flow allows for perfect product turnover. When the first pallet is removed, the others advance one position. This ensures that the front pallet position is always filled and makes pallet extraction simple.

Because of this, Pallet Flow is ideal for many installations in which palletized goods are handled, including the following:

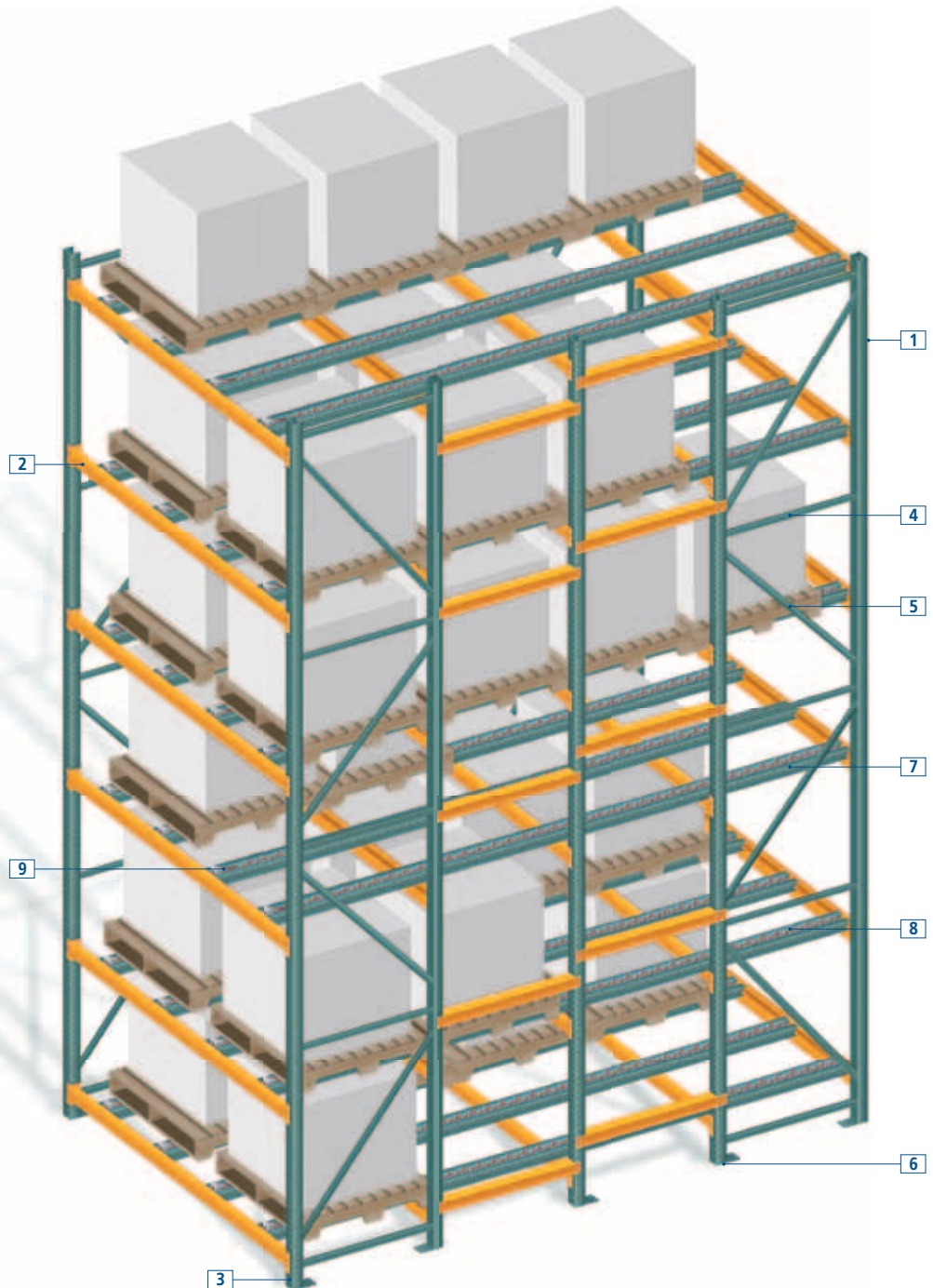
- Perishable product warehouses
- Intermediate warehouses between two work areas
- Shipment areas in which a high turnaround is required for pallet extraction
- Holding warehouses (prepared orders, classification channels for automatic circuits, etc.)



Pallet Flow Components

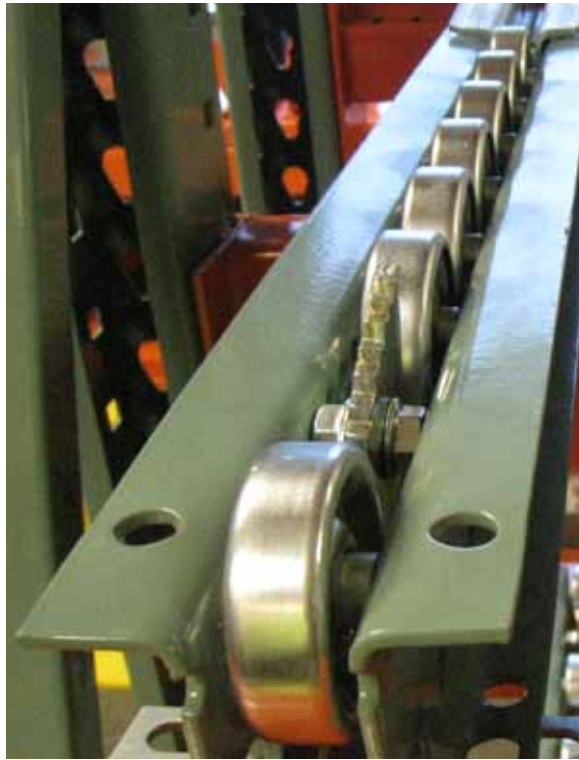
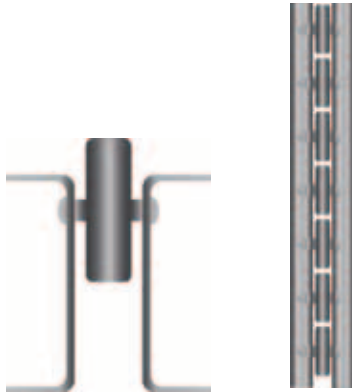
The Pallet Flow system consists of rollers set within a supporting structure of frames and beams. The supporting structure can be either welded or bolted using standard pallet rack components for maximum flexibility and lower costs. Support beams are placed at the appropriate heights within the lanes to maintain proper pallet flow, and flow tracks are fitted onto the beams to facilitate the pallet's movement. Systems can be up to four pallets deep in standard arrangements.

- 1/ Frame
- 2/ Beam
- 3/ Foot plate
- 4/ Horizontal strut
- 5/ Diagonal strut
- 6/ Shim
- 7/ Flow rail
- 8/ Staggered flow wheel
- 9/ Ramp stop



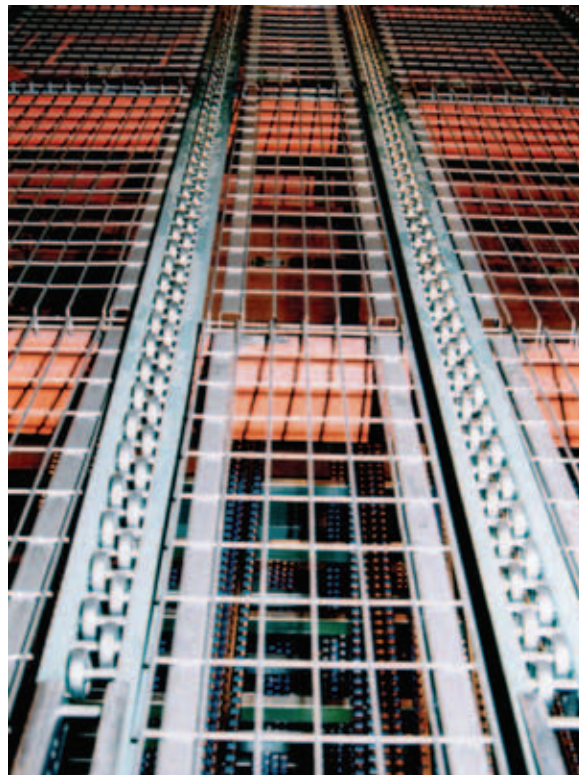
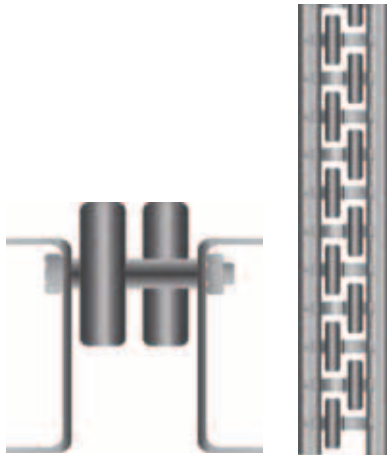
Heavy-Duty Single Flow Wheels

Heavy-duty, Single Flow Wheels are an economical option for concentrated loads. Wheel spacing ranges from 2" o.c. to 6.5" o.c., increasing in .5" increments depending on pallet weight and quality.



Heavy-Duty Staggered Flow Wheels

Heavy-Duty Staggered Flow Wheels are ideal for heavier loads and pallets with an irregular surface. Wheel spacing ranges from 1.5" o.c. to 6.5" o.c., increasing in .5" increments.



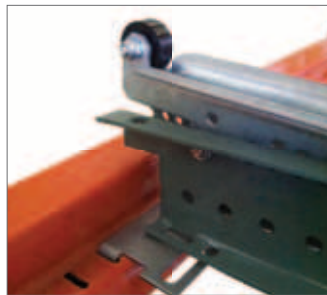
Rail Attachment Clips

Rail Attachment Clips connect the flow rail to the front and rear beams. They do not bear any of the load weight, but rather they are used in conjunction with slotted beams to allow flow rails to be easily installed or removed.



Bolted Ramp Stop

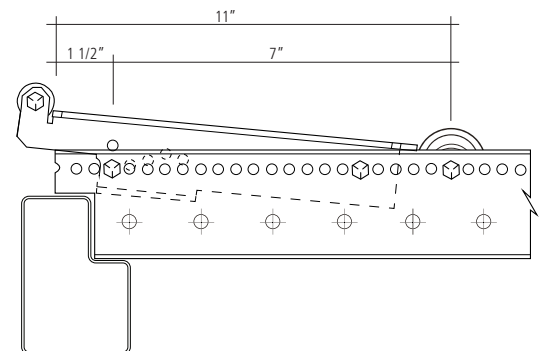
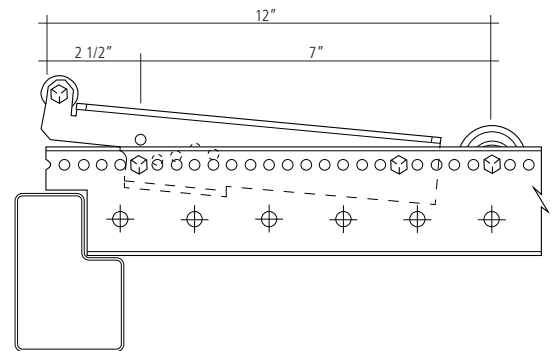
These steel ramps slope up at the exit end to ease the pallet to a stop. At the end of the ramp is a knob which gently stops the pallet. Bolted Ramp Stops can be installed flush with the frame or may extend past the frame into the aisle.



Flush Ramp Stop

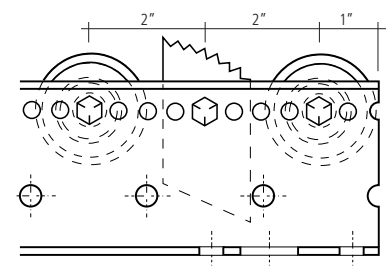
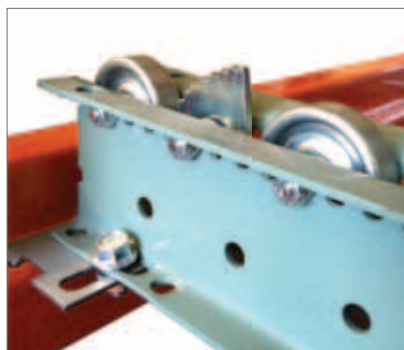


Extended Ramp Stop



Anti-Backup Device

This is a small metal piece at the entry end of the flow rail which helps keep pallets securely in the lane. The Anti-Backup Device, along with the slope, keeps the load from moving backwards on the rail.



Typical Configurations

Four deep Pallet Flow

In this freestanding system, pallets are loaded at the top end, or loading aisle, of the slightly inclined rack. The pallets move by gravity along the rollers toward the unloading aisle on the other side.



Pallet Flow Picking

Pallet Flow can be used effectively in a multi-level, dynamic picking system. Here, stock for the hand-picking aisle is fed from separate loading aisles.



Pallet Flow with Carton and Push-back Picking

Pallet Flow can be combined with other dynamic products to create a highly flexible picking system. Here, by incorporating Carton Flow with Pallet Flow, each picking aisle has access to both palletized and non-palletized products. Additional pallet positions are accommodated by adding Selective and Push-Back levels above.



e-mail: info@interlakemecalux.com - interlakemecalux.com

SALES OFFICES

CHICAGO
Tel. 1-708-344-9999
1600 North 25th Ave.
Melrose Park, IL 60160

DALLAS
Tel. 1-972-245-3910
12301 N Stemmons Freeway,
Suite 110
Farmers Branch, TX 75234

SAN DIEGO
Tel. 1-619-671-0335
8607 Ave. De La Fuente
San Diego, CA 92154

PRODUCTION PLANTS

CHICAGO
Tel. 1-708-344-9999
1600 North 25th Avenue
Melrose Park, IL 60160

MATAMOROS
Tel. (868) 811 44 00
Las Rusias 2700, Industrial
del Norte
Matamoros Tamaulipas -
C.P. 87316

PONTIAC
Tel. 1-877-632-2589
701 Interlake Drive
Pontiac, IL 61764

TIJUANA
Tel. (664) 647 22 00
Blvd. Bellas Artes, 9001
Ciudad Industrial Nueva Tijuana
Tijuana, B.C. - C.P. 22444

OFFICES WORLDWIDE

Argentina, Belgium, Brazil, Canada, Chile, Czechia, Colombia, France, Germany, Holland, Italy, Mexico, Peru, Poland, Portugal, Slovakia, Spain, Turkey, United Kingdom, Uruguay and USA.

